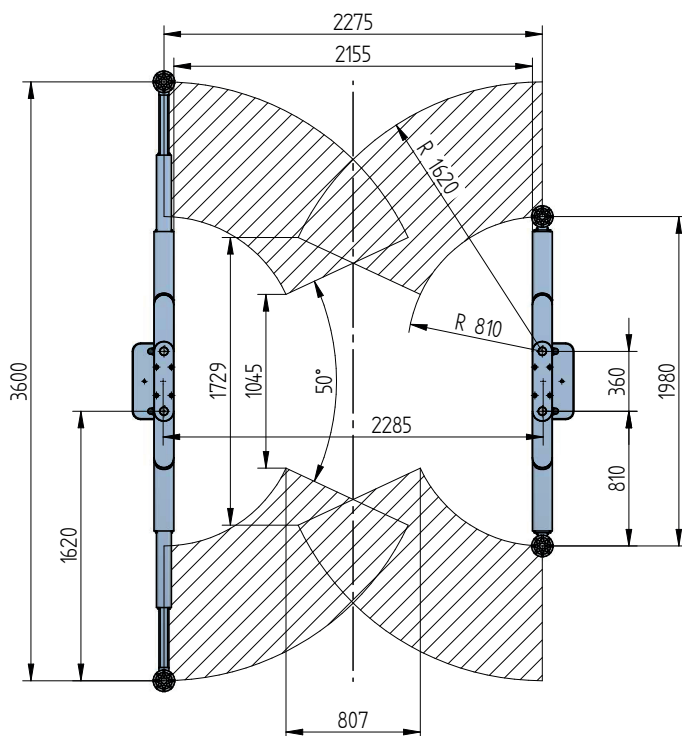
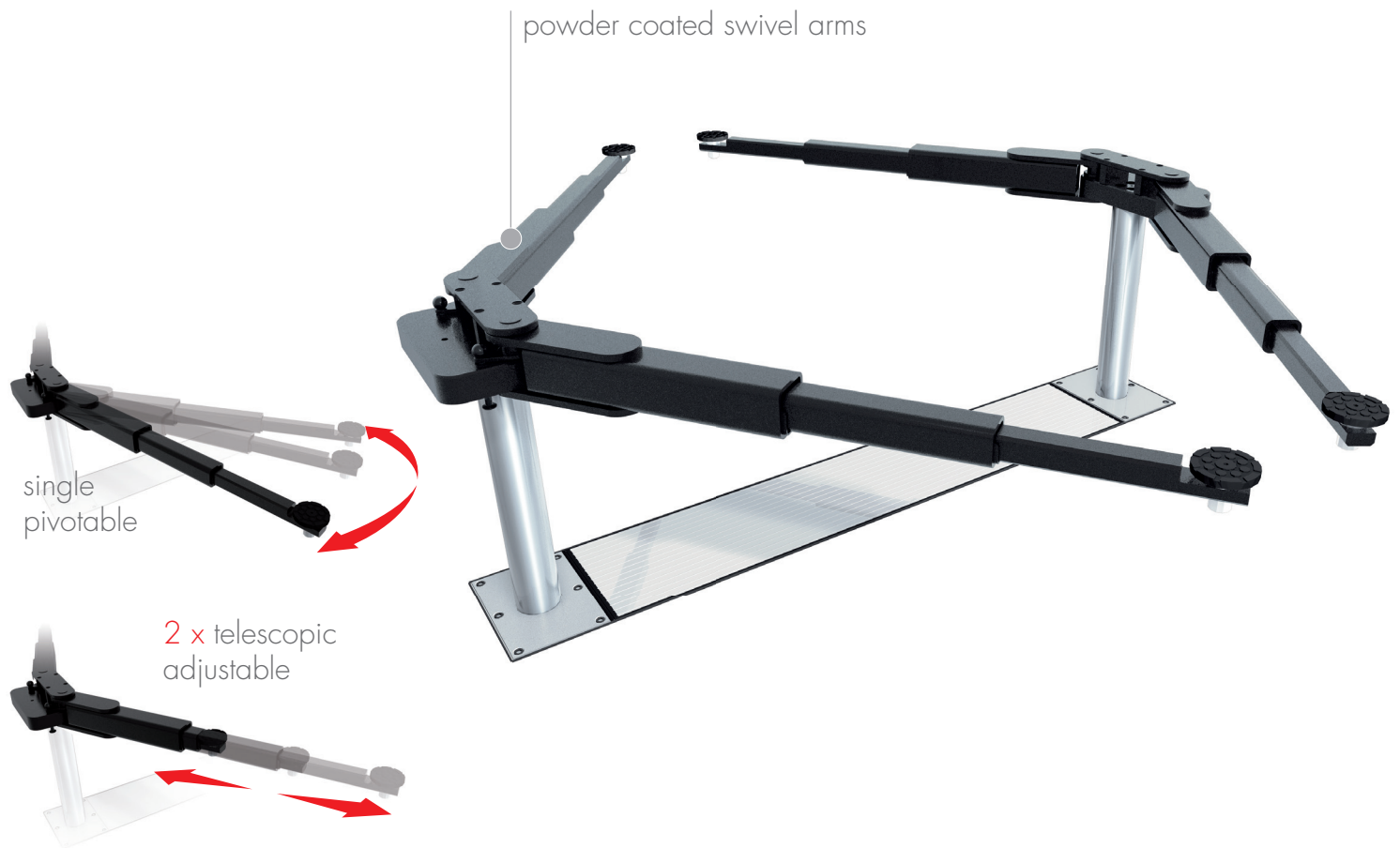


Schwenkarm 2.50

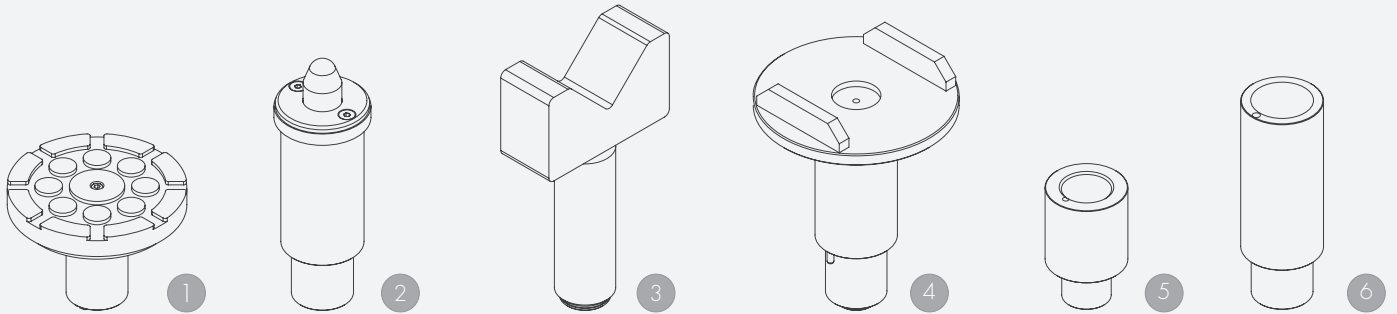


TECHNICAL DATA

capacity	5000 kg
effective raise height	2037 mm
move in height	110 mm
piston diameter	123 mm
piston distance	2285 mm
installation depth	2408 mm
motor output	3,0 kW
power connector	400 V/16 A
cable length to control	11 m
lifting time	≈ 35 sec.
lowering time	≈ 35 sec.

Support Schwenkarm 2.50	102666
Installation cassette STEEL 2285 mm	2020XX
Installation cassette STEEL 2285 mm galvanized	2021XX
Lifting unit oil 5,0 2285 mm - K pre-assembled in installation cassette	104885
Lifting unit oil 5,0 2285 mm - H packed in wooden box	104886





1 Stacking adapter
d130 x d 45 / 25-55 mm
102285 (1set / 4 pcs.)

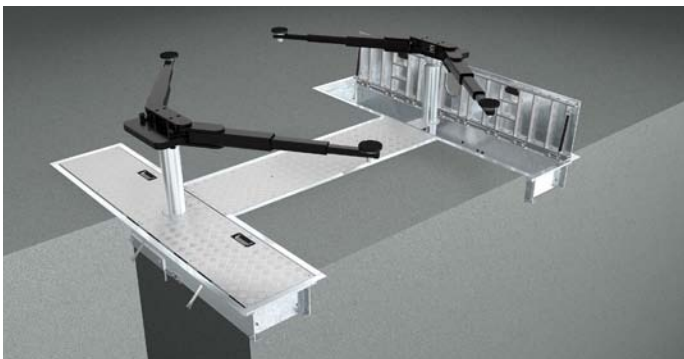
2 Stacking adapter NCV3 Dorn
d 45 x d 70 / 125-250 mm
102290 (1set / 2 pcs.)

3 Stacking adapter V-prism
d 45 / 182-312 mm
102289 (1set / 2 pcs.)

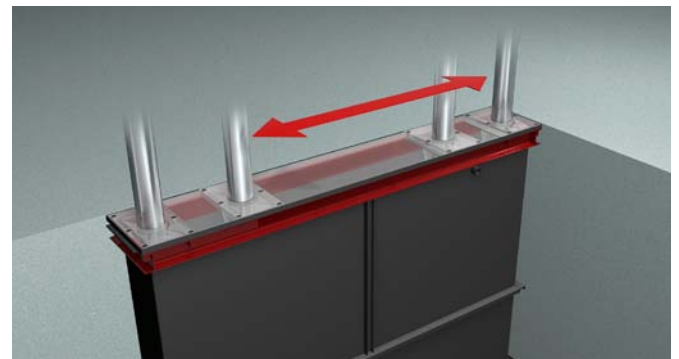
4 Stacking adapter U-form
d 130 x d 45 / 193-295 mm
102288 (1set / 4 pcs.)

5 Stacking adapter extension
80 mm
102284 (1set / 4 pcs.)

6 Stacking adapter extension
130 mm
102287 (1set / 4 pcs.)



Surround frame hot-dip galvanized,
swivel arm lift pd 2285 mm
102430



Future Proof installation cassette

Steel 2285 mm,
drilling 2285/1785/1500
2220XX

Steel galvanized 2285 mm,
drilling 2285/1785/1500
2221XX

Steel 2685 mm,
drilling 2685/1785/1500
2620XX

Steel galvanized 2685 mm,
drilling 2685/1785/1500
2621XX



Herrmann AG

Bahnhofstrasse 32

D-93483 Pöding

Sales

Phone: +49 (0)9461/91388 50

Fax: +49 (0)9461/91388 33

E-Mail: sales@herrmann.de

Service

Phone: +49 (0)9461/91388 31

Fax: +49 (0)9461/91388 33

E-Mail: service@herrmann.de

www.herrmann.de