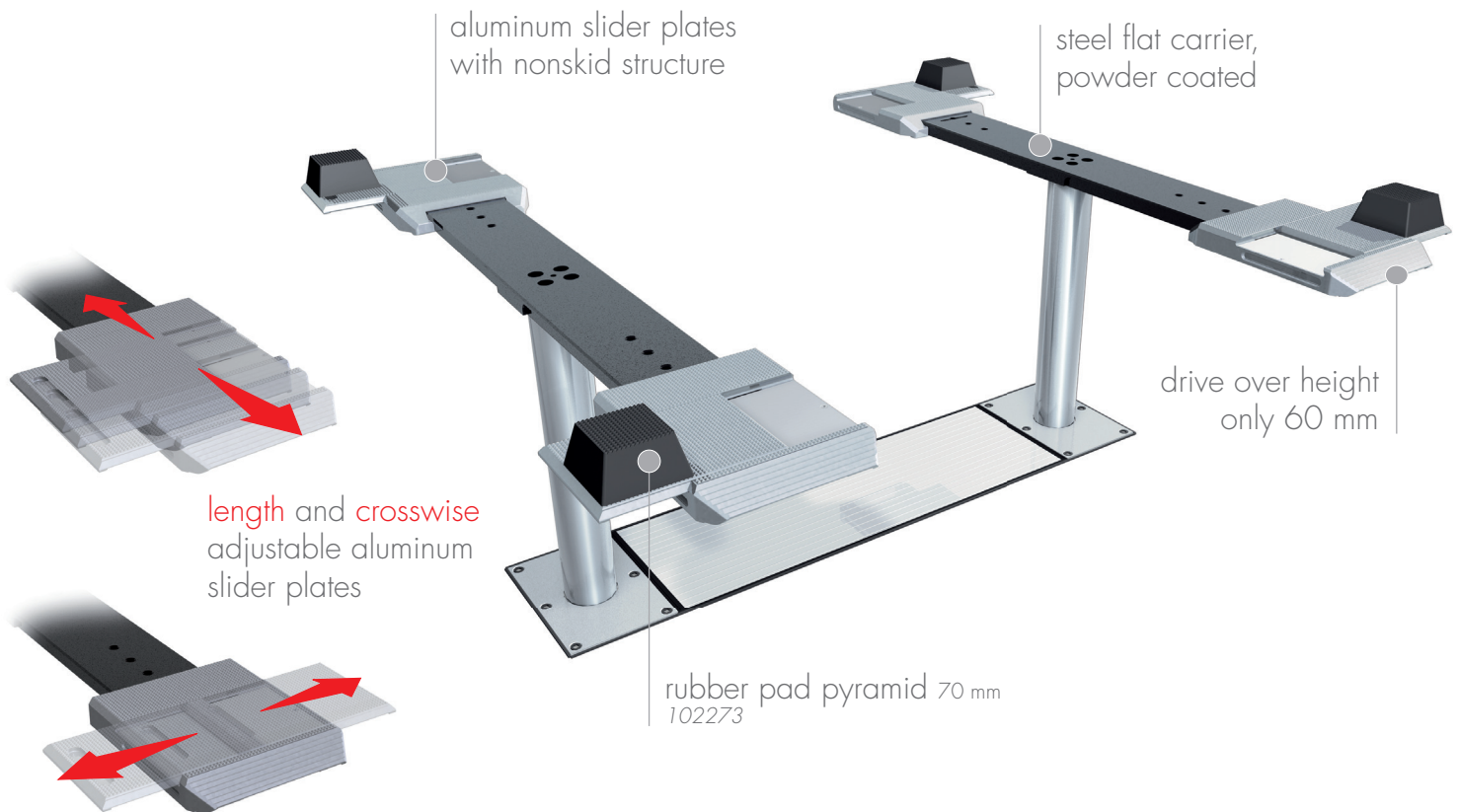


Uni 2.35 plus-1500

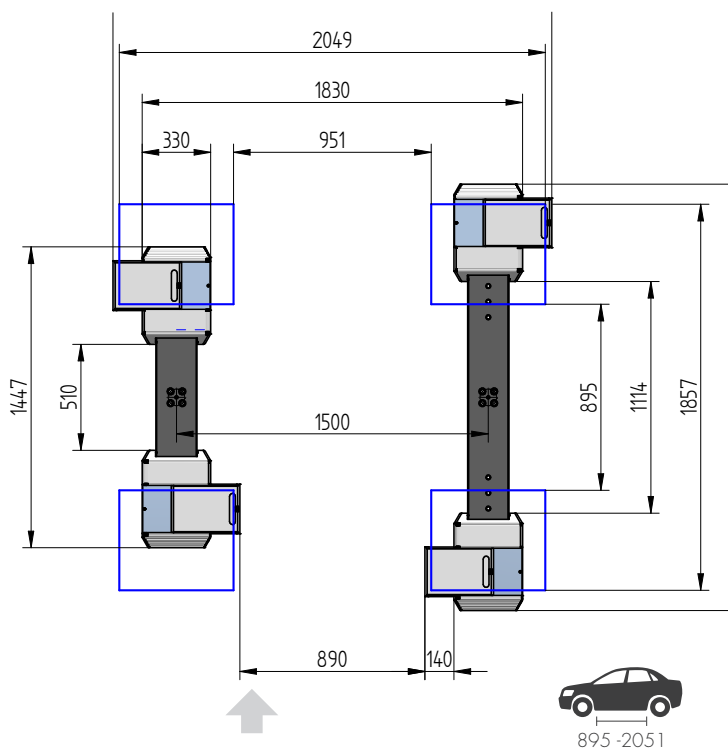


TECHNICAL DATA

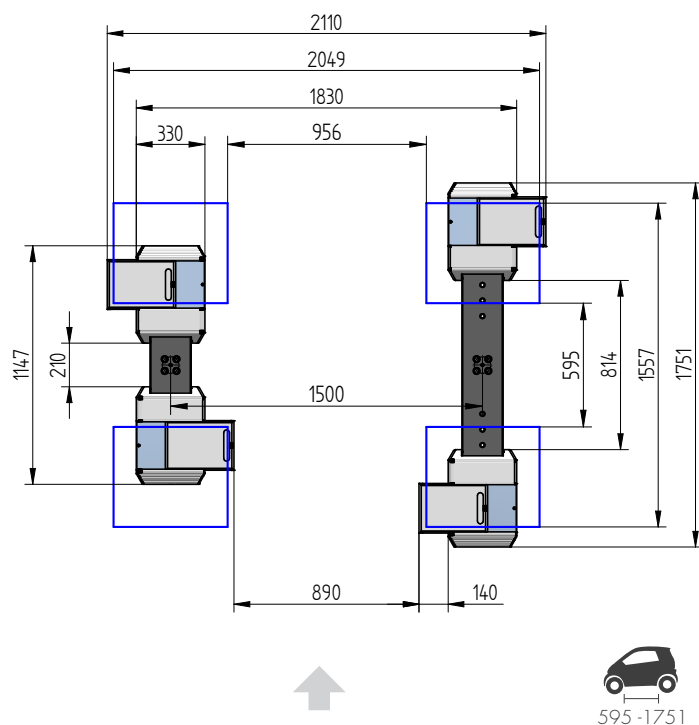
capacity	3500 kg
effective raise height	2023 mm
drive over height	60 mm
piston diameter	123 mm
piston distance	1500 mm
installation depth	2408 mm
motor output	3,0 kW
power connector	400 V/16 A
cable length to control	11 m
lifting time	≈ 35 sec.
lowering time	≈ 35 sec.

Support Uni 2.35 plus	102640
Support Uni 2.35 plus mini	102646
Support Uni 2.35 plus midi	106128
Support Uni 2.35 plus maxi	102642
Installation cassette STEEL 1500 mm	2260XX
Installation cassette STEEL 1500 mm galvanized	2261XX
Lifting unit oil 3,5 t 1500 mm - K pre-assembled in installation cassette	108969
Lifting unit oil 3,5 t 1500 mm - H packed in wooden box	108970

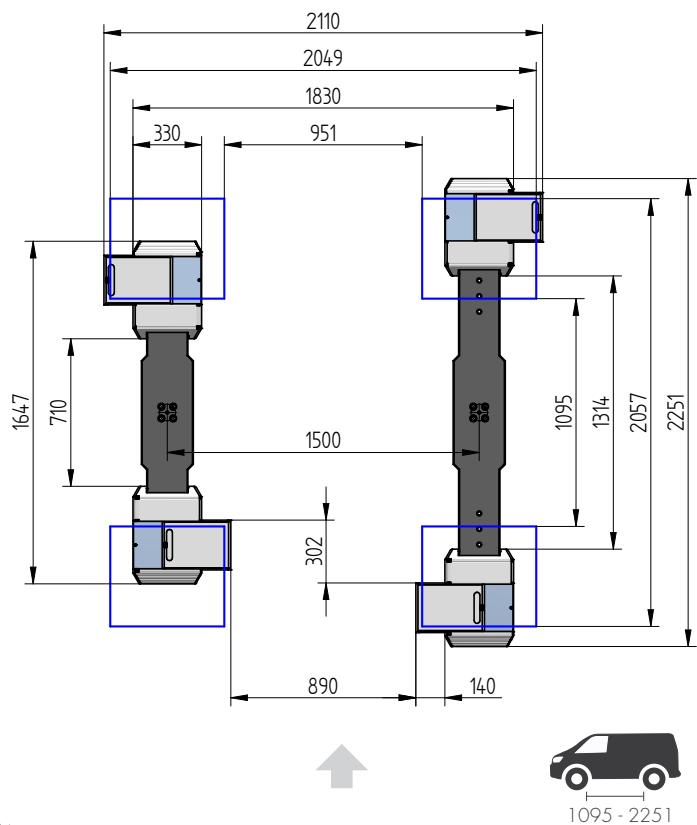
Uni 2.35 plus-1500



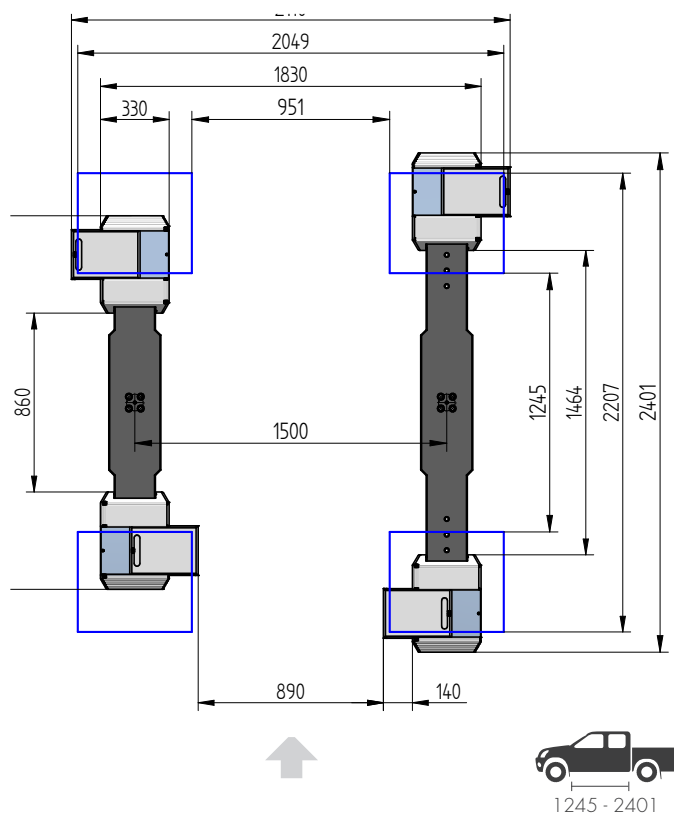
Uni 2.35 plus mini-1500

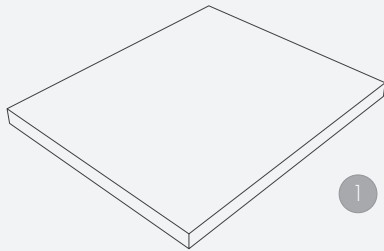


Uni 2.35 plus midi-1500

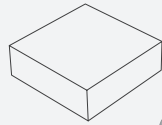


Uni 2.35 plus maxi-1500

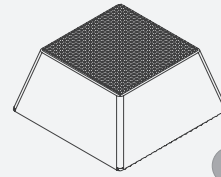




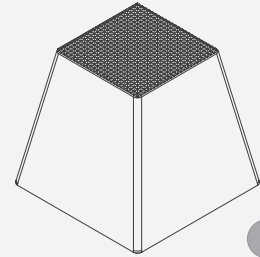
1 Rubber pad
290 x 335 x 20 mm
102275 (1set / 4 pcs.)



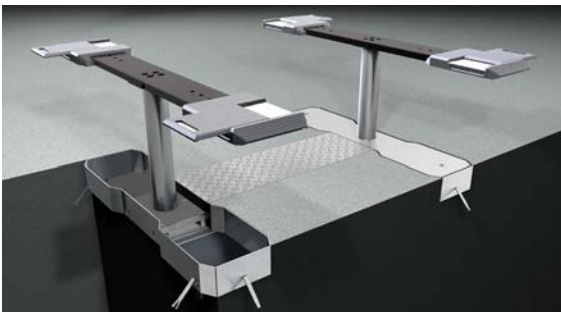
2 Rubber pad
120 x 120 x 40 mm
102274 (1set / 4 pcs.)



3 Rubber pad pyramid
70 mm
102273 (1set / 4 pcs.)

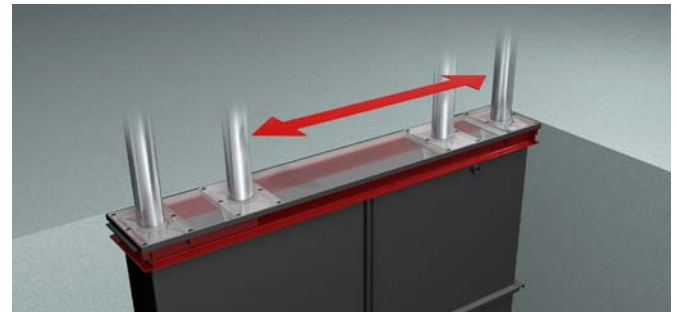


4 Rubber pad pyramid
140 mm
102291 (1set / 4 pcs.)



Surround frame hot-dip galvanized,
uni lift pd 1500 mm
107234

Autom. floor levelling system
incl. surround frame
uni lift pd 1500 mm
107236



Future Proof installation cassette

Steel 2285 mm,
drilling 2285/1785/1500
2220XX

Steel galvanized 2285 mm,
drilling 2285/1785/1500
2221XX

Steel 2685 mm,
drilling 2685/1785/1500
2620XX

Steel galvanized 2685 mm,
drilling 2685/1785/1500
2621XX



Herrmann AG

Bahnhofstrasse 32

D-93483 Pöding

Sales

Phone: +49 (0)9461/91388 50

Fax: +49 (0)9461/91388 33

E-Mail: sales@herrmann.de

Service

Phone: +49 (0)9461/91388 31

Fax: +49 (0)9461/91388 33

E-Mail: service@herrmann.de

www.herrmann.de